

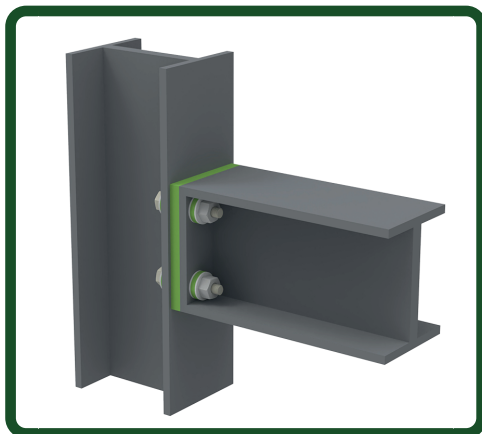
### Introduction

ClimaSpec TB Structural Thermal Break is a thermal bridging solution that improves the energy efficiency of buildings, thermally separating structural elements that penetrate the building envelope.

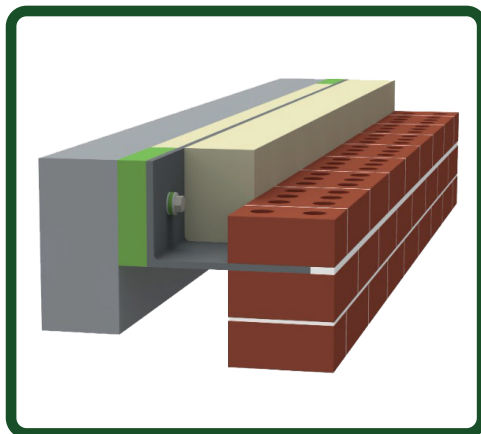
ClimaSpec TB has premium compressive strength and thermal conductivity values that provide adaptable solutions to a variety of thermal bridging applications. ClimaSpec TB is custom fabricated to meet connection requirements that allow laborsaving installation for contractors.

### Benefits of Using ClimaSpec TB:

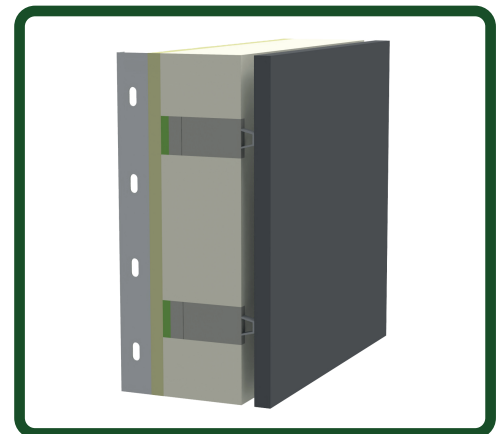
- / Achieve or exceed energy code compliance
- / Contribute towards LEED certification
- / Compatible with new build and retrofit projects
- / Reduce condensation risk
- / Made in the USA
- / Multiple thicknesses available
- / Expedited manufacturing service
- / Shipped directly to the job-site
- / Custom fabrication
- / Practical installation methods



Balcony



Shelf Angle



Cladding Shim

### Typical Applications for ClimaSpec TB:

- / Balconies
- / Canopies
- / Shelf angles
- / Facade attachments
- / Columns
- / Cladding shims
- / Roof penetrations
- / Data centers

### Structural Connections for ClimaSpec TB:

- / Steel to steel
- / Steel to concrete/masonry
- / Steel to timber
- / Concrete to concrete

### Specifications

Compressive Strength	ASTM D695	38,900 psi
Tensile Strength	ASTM D638	9,400 psi
Tensile Modulus	ASTM D695	1.7 x 10 <sup>6</sup> psi
Flexural Strength	ASTM D790	22,300 psi
Shear Strength	ASTM D732	13,400 psi
Thermal Conductivity	ASTM C177	1.8 BTU·In/Hr·Ft <sup>2</sup> ·°F
Coefficient of Thermal Expansion	ASTM D696	2.2 In/In°C x 10 <sup>-5</sup>

### Sheet Size

Thickness	Max. Sheet Size
1/4"	96" x 48"
1/2"	96" x 48"
3/4"	96" x 48"
1"	96" x 48"
2"	96" x 48"

Note: Custom thicknesses and sizes available upon request.

### Accessories

Bolt Size	Washer OD	Washer ID	Bushing OD	Bushing ID
1/2"	1.375"	0.56"	0.75"	0.625"
3/4"	2"	0.81"	0.995"	0.816"
1"	2.5"	1.062"	1.25"	1.071"
1-1/8"	2.75"	1.26"	1.494"	1.25"

Note: ClimaSpec Washers are 1/4" thick.  
 ClimaSpec Bushing lengths to match end plate thickness.  
 Custom sizes available upon request.