

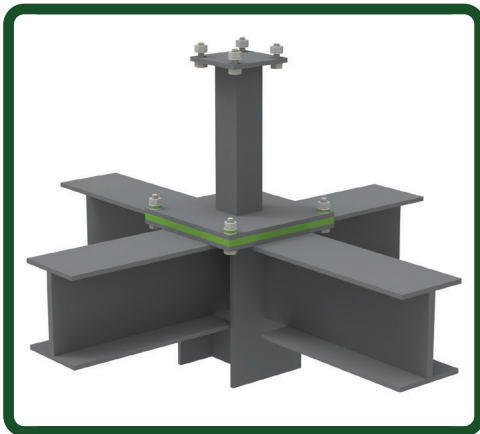
Introduction

ClimaSpec TB Structural Thermal Break is a thermal bridging solution that improves the energy efficiency of buildings, thermally separating structural elements that penetrate the building envelope.

ClimaSpec TB has premium compressive strength and thermal conductivity values that provide adaptable solutions to a variety of thermal bridging applications. ClimaSpec TB is custom fabricated to meet connection requirements that allow laborsaving installation for contractors.

Benefits of Using ClimaSpec TB:

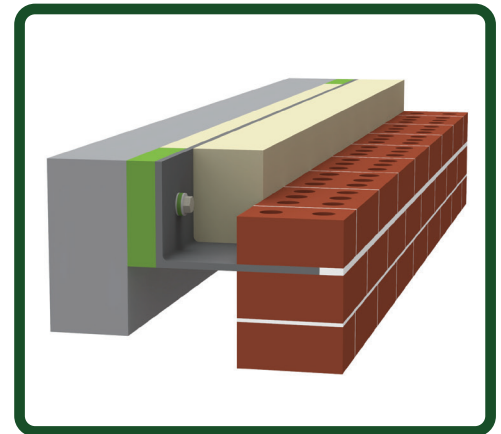
- / Achieve or exceed energy code compliance
- / Contribute towards LEED certification
- / Compatible with new build and retrofit projects
- / Reduce condensation risk
- / Made in the USA
- / Multiple thicknesses available
- / Expedited manufacturing service
- / Shipped directly to the job-site
- / Custom fabrication
- / Practical installation methods



Roof Penetration



Canopy



Shelf Angle

Typical Applications for ClimaSpec TB:

- / Balconies
- / Canopies
- / Shelf angles
- / Facade attachments
- / Columns
- / Cladding shims
- / Roof penetrations
- / Data centers

Structural Connections for ClimaSpec TB:

- / Steel to steel
- / Steel to concrete/masonry
- / Steel to timber
- / Concrete to concrete

Specifications

Compressive Strength	ASTM D695	43,200 psi
Compressive Modulus*	ASTM D695	1,230,000 psi
Shear Strength	ASTM D732	16,000 psi
Thermal Conductivity	ASTM C518	1.08 BTU · In/Hr · Ft ² · °F
Flame Spread**	ASTM E84	5 (Class A)
Smoke Index**	ASTM E84	160 (Class A)

* 1" thick test sample

** 2" thick test sample

Thickness

1/4"
1/2"
3/4"
1"
1-1/2"
2"

Note: Custom thicknesses and sizes available upon request.

Accessories

Bolt Size	Washer OD	Washer ID	Bushing OD	Bushing ID
1/2"	1.375"	0.56"	0.75"	0.625"
3/4"	2"	0.81"	0.995"	0.816"
1"	2.5"	1.062"	1.25"	1.071"
1-1/8"	2.75"	1.26"	1.494"	1.25"
1-1/4"	3"	1.375"	1.57"	1.312"
1-1/2"	3.5"	1.625"	2"	1.75"

Note: ClimaSpec Washers are 1/4" thick.
 ClimaSpec Bushing lengths to match end plate thickness.
 Custom sizes available upon request.